



DAC40-FWX Series

40 Watt AC/DC Dual Output



Dual Output

Isolated output 3000VAC
 Internal Input Filter
 Up to 88% Efficiency
 Encapsulated compact size 3" X2"
 EN62368-1, CE recognized
 ITE & AC Motor Applications
 3 year Warranty
 -DAC40-20: 5V, 5V - DAC40-21: 5V, 24V
 -DAC40-22:12V,12V - DAC40-23:15V, 15V
 -DAC40-24: 5V, 12V -DAC40-25: 5V,15V
 -DAC40-26: 24V, 24V - DAC40-27: 3.3V, 5V



| UNIT | | | |
|--------------|-----------------------|-----|--|
| INPUT | Voltage/Freq | VAC | Universal Input voltage AC 90V ~ 264V 100~240 VAC 47 ~ 63Hz |
| | Input Voltage. | VDC | 120 ~370VDC |
| | Min. Load | - | 20% each output |
| | Inrush Current | A | 115V 12A (Ta=25 , Io=100% at cold Start); 230V 20A (Ta=25 , Io=100% at cold Start) |
| | Line Frequency | Hz | 47 ~ 63 Typ. 50/60 |

| | | UNIT | DAC40-20FWX | DAC40-21FWX | DAC40-22FWX | DAC40-23FWX |
|--------------------------------|---|---|--|-------------|-------------|-------------|
| OUTPUT | Nominal Voltage | VDC | +/- 5 | +5 /+24 | +/- 12 | +/- 15 |
| | Efficiency typ | % | 75 | 78 | 80 | 80 |
| | Current | A | +/- 4 | +5/+ 0.625 | +/- 1.75 | +/- 1.4 |
| | Transient Recovery time | uSec | Vi nom, Io nom = 0.5 Io nom Typ. 1000 uSec | | | |
| | Line Regulation | % | +/-1% | +/-1% | +/-1% | +/-1% |
| | Load Regulation | % | +/-5% | +/-5% | +/-5% | +/-5% |
| | Ripple Noise 20MHz BW full load | mVp-p | 150 | 150/240 | 150 | 150 |
| | Voltage Accuracy | % | 5 | 5 | 5 | 5 |
| | Over Load Protection | Auto Recovery Above 110% rated output Power Protection type: Recovers automatically after fault condition is removed | | | | |
| | Short Circuit Protection | CONT. Auto Recovery | | | | |
| Over Voltage Protection | 120%-150% rated output Voltage Protection type: Zener diode clamp | | | | | |





| | | UNIT | DAC40-24FWX | DAC40-25 FWX | DAC40-26FWX | DAC40-27FWX |
|--------------------------------|--|--|--|----------------|--------------|------------------|
| OUTPUT | Nominal Voltage | VDC | +5/+12 | +5 /+15 | +/-24 | +3.3 / +5 |
| | Efficiency typ | % | 75 | 75 | 80 | 72 |
| | Current | A | +5/+1.250 | +5/+ 1.0 | +/- 0.875 | 5.0 / 2.0 |
| | Transient Recovery time | uSec | Vi nom, lo nom = 0.5 lo nom Typ. 1000 uSec | | | |
| | Line Regulation | % | +/-1% | +/-1% | +/-1% | +/-1% |
| | Load Regulation | % | +/-5% | +/-5% | +/-5% | +/-5% |
| | Ripple Noise 20MHz BW full load | mVp-p | 150/240 | 150/240 | 240 | 150/240 |
| | Voltage Accuracy | % | 5 | 5 | 5 | 5 |
| | Over Load Protection - | | Auto Recovery Above 110% rated output Power Protection typeRecovers automatically after fault condition is removed | | | |
| | Short Circuit Protection - | | CONT. Auto Recovery | | | |
| Over Voltage Protection | | 120%-150%rated output Voltage Protection typeZener diode clamp | | | | |

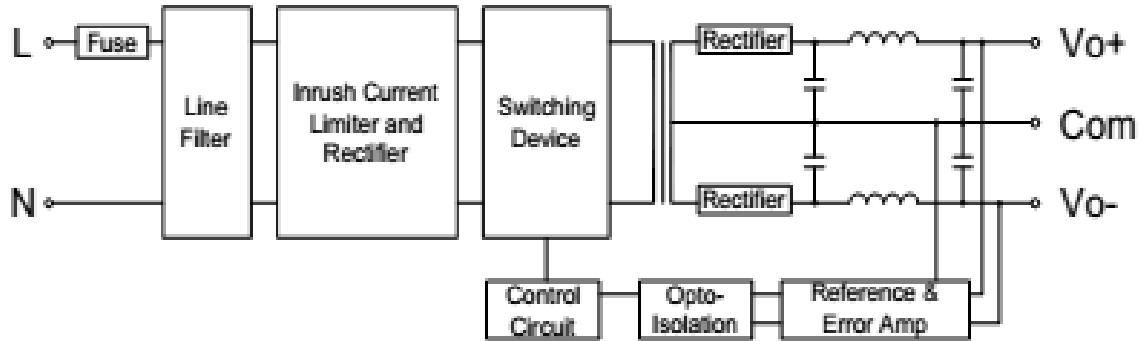
| | | |
|--------------------|--|---|
| Isolation | Isolation Voltage | Input / Output 3KVac/ 5mA/5Secs |
| | Switching Frequency | 65 KHz |
| | Isolation Resistance | Input / Output, @500 Vdc 100MΩ |
| Environment | Operating Temp/Hum. | -20~ +70°C |
| | Storage Temp/Hum. | -40 ~ +85°C HUMIDITY 95% 5RH% |
| | Derating | Vi nom, lo nom+51 to 71°C2 %/°C |
| Safety | CE EMI Conduction & Radiation | EN60950-1 approved Compliance to EN55022 |
| | EMS Immunity | Compliance to EN55024 |
| Size | MM | 76.2 X 50.8 X 25.4 (mm) 3.5" X 2.5" X 1.25" |



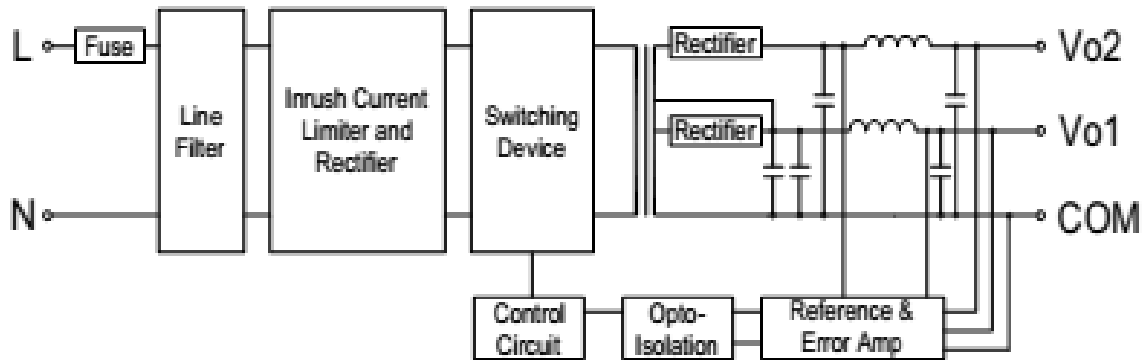


BLOCK DIAGRAM

DAC40-20FWX,-22FWX,-23FWX,-26FWX



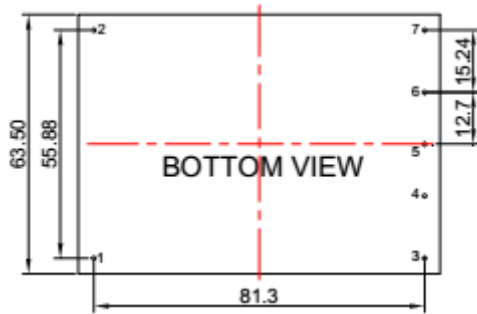
DAC40-21FWX, -24FWX, -25FWX, -27FWX





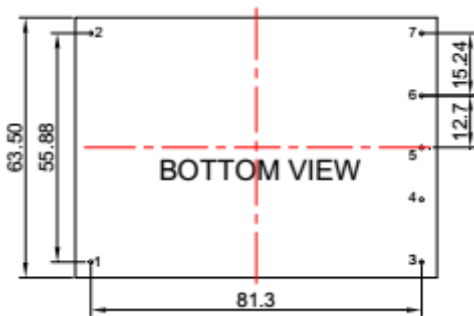
PINOUT

DAC40-20FWX,-22FWX,-23FWX,-26FWX



| PIN | |
|-----|--------|
| 1 | ACN |
| 2 | ACL |
| 3 | +Vo |
| 4 | NO PIN |
| 5 | Com |
| 6 | NO PIN |
| 7 | -Vo |

DAC40-21FWX, -24FWX, -25FWX, -27FWX

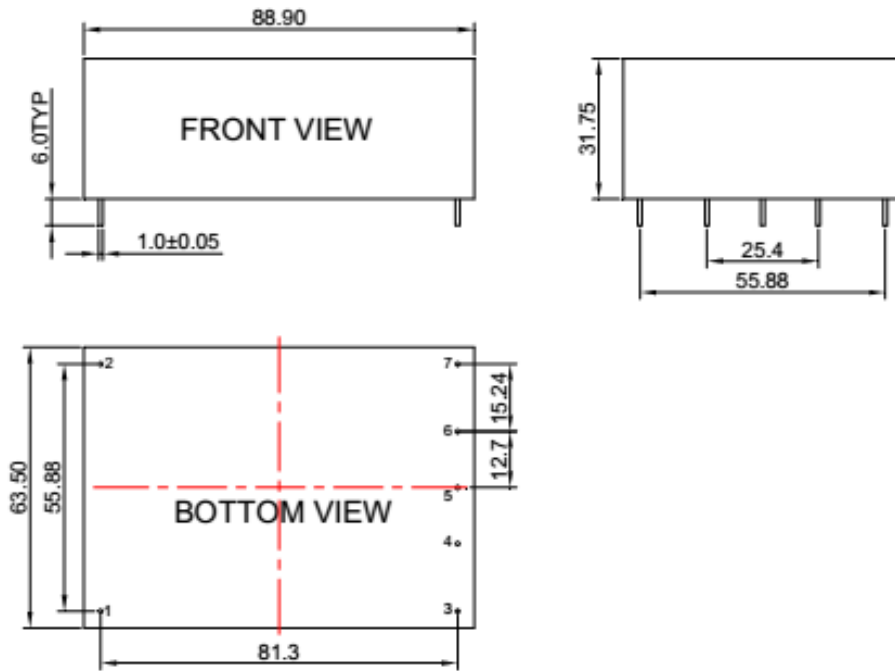


| PIN | |
|-----|--------|
| 1 | ACN |
| 2 | ACL |
| 3 | +Vo2 |
| 4 | +Vo1 |
| 5 | Com |
| 6 | Com |
| 7 | NO PIN |





DIMENSIONAL DRAWING (mm)



Unit : mm Unless otherwise specified, all tolerances are ± 0.50

OUTPUT DERATING CURVE (TEMPERATURE)

